

## Binary Input JB260C23

5WG1 260-4CB23

November 2014/ Page 1



### Product and Application Description

The JB260C23 Binary Input is a KNX device with four binary input channels. The device is installed in a 4 x 4 inch junction box. The bus is connected via a bus terminal block. The device electronics are supplied via the bus voltage.

The device enables recording of statuses (contact is opened or closed respectively voltage is applied or not) and changes in status (contact is being opened or closed respectively voltage is rising or falling), as well as voltage impulses. The product supports a multitude of applications and enables one of the following functions to be assigned to every input:

- Switching status / binary value transmission
- Switching, edge-triggered
- Switching, short / long operation
- 1-button dimming
- 1-button solar protection control
- 1-button group control (sequence control)
- 1-bit Scene control
- 8-bit Scene control
- 8-bit value, edge-triggered
- 8-bit value, short / long operation
- 16-bit floating point value, edge-triggered
- 16-bit floating point value, short / long operation
- 8-bit pulse counting without threshold check
- 8-bit pulse counting with threshold check
- 16-bit pulse counting without threshold check
- 16-bit pulse counting with threshold check
- 32-bit pulse counting without threshold check
- 32-bit pulse counting with threshold check

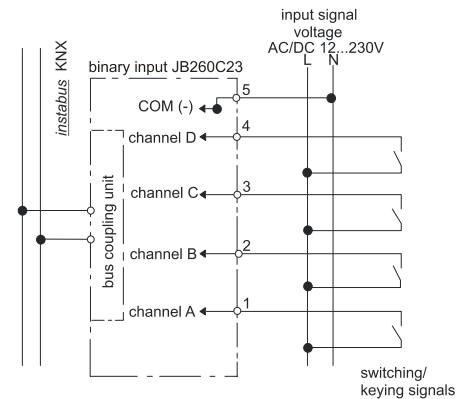
Two consecutive channels (A and B resp. C and D) that were configured as a pair of inputs can be configured for one of these functions:

- Dual-button dimming with stop telegram
- Dual-button control of solar protection

### Application Program

The JB260C23 Binary Input needs the application program "07 B0 S4 On-off-toggle/Dim/Shu/Value/Cycl 983101".

### Example of Operation



### Technical Specifications

#### Power supply

- via the bus line
- KNX bus voltage: DC 24V (DC 21...30V) via KNX/EIB bus line
- KNX bus current: < 10 mA

#### Inputs

- 4 inputs, AC/DC 12 ... 230V
- Max. length of connecting cable: 100 m

#### Control elements

1 learning button:

For switching between normal operating mode and addressing mode

#### Display elements

1 red LED:

For monitoring bus voltage and for displaying normal mode/addressing mode

#### Connections

- Bus line : Bus connection pins for connection of the screwless bus terminal block (red-black) 0.6...0.8 mm Ø single core, strip insulation 5mm
- Inputs: see Location and Function of Interface Elements

#### Physical specifications

- housing: plastic
- dimensions (L x W x D):  
length : 70 mm (2.76 inch)  
width : 90 mm (3.54 inch)  
depth : 44.6 mm (1.76 inch)
- weight: approx. 157 g
- fire load: approx. 4 MJ
- Installation: in a junction box (min. dimensions (L-W-D))  
Length: 4 inch (101.6 mm)  
Width: 4 inch (101.6 mm)  
Depth: 2 inch (50.8 mm)

#### Electrical safety

- Degree of pollution (according to IEC 60664-1): 2
- Type of protection (according to EN 60529): IP 20
- Overvoltage category (according to IEC 60664-1): III
- Bus: safety extra low voltage SELV DC 24 V
- Device complies with: EN 50428

#### Electromagnetic compatibility

complies with EN 50428

#### Environmental conditions

- Ambient operating temperature:  
- 5 ... + 45 °C (+ 23 ... + 113 °F)
- Storage temperature:  
- 25 ... + 70 °C (- 13 ... + 158 °F)
- Relative humidity (non-condensing): 5 % to 93 %

#### Reliability

- Failure rate: 279 fit at 40°C

#### Markings

EIB, KNX, UL

### Listings and Certifications

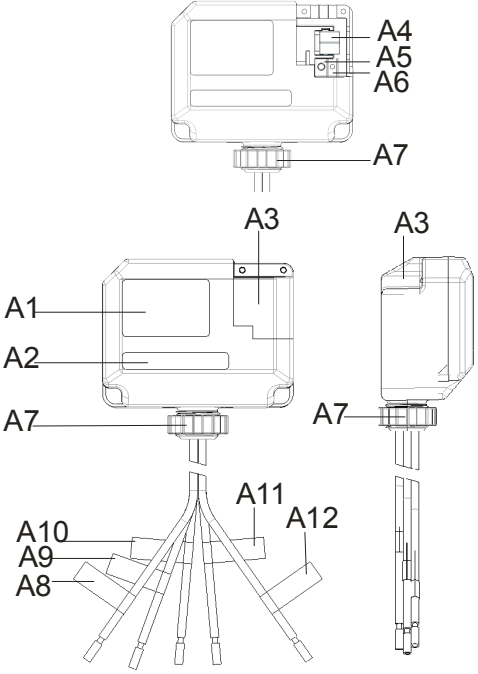
#### CE mark

complies with the EMC regulations (residential and functional buildings) and low voltage regulations

#### UL listed (E464611)

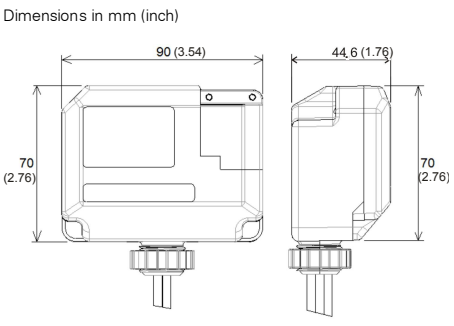
UL 916, Open Energy Management Equipment

Location and Function of the Interface Elements



- A1 Type label (with space for physical address of the device)
- A2 Identification number of the device
- A3 Protective lid over bus connection
- A4 Bus connection terminal block for single core conductors with 0.6...0.8 mm Ø
- A5 LED for indicating normal operating mode (LED off) or addressing mode (LED on); returns to normal operating mode automatically after receiving the physical address
- A6 Learning button for switching between normal operating mode and addressing mode for receiving the physical address
- A7 1/2 inch screw nut
- A8 Wire (red) Input A (AWG #16)
- A9 Wire (yellow) Input B (AWG #16)
- A10 Wire (orange) Input C (AWG #16)
- A11 Wire (blue) Input D (AWG #16)
- A12 Wire (white) Neutral (AWG #16)

Dimension Diagram

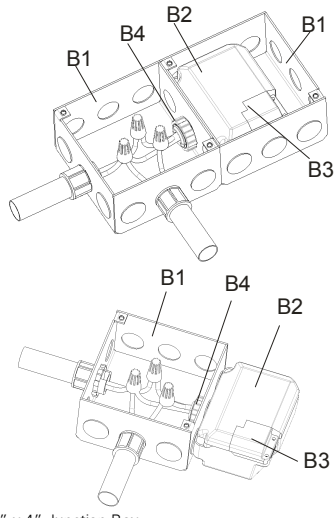


## WARNING

**Hazardous voltage.**  
Can cause death, or serious injury or property damage.

**The device must not be opened.**  
A faulty device should be returned to the local Siemens sales office or distributor.

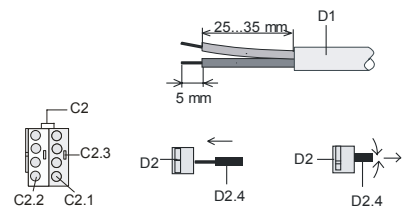
**The device must be mounted and commissioned by a factory trained person.**  
The prevailing safety rules must be observed!  
Mount in dry locations only!



- B1 4" x 4" Junction Box
- B2 Device
- B3 Bus connection pins of the module for connection of the bus terminal block for single core conductors with 0.6...0.8 mm Ø
- B4 1/2 inch screw nut

Mounting and Dismounting

- Mounting of a JB module:
  - Option 1 (mounting inside a J-Box)
    - Insert the thread of the JB module (B2) into the 1/2 inch knockout between two adjacent J-Boxes (B1)
    - Fasten the JB module (B2) with the 1/2 inch thread nut (B4)
    - Remove the protective lid (B3) and connect the bus wire to the bus terminal block (A4)
    - Connect the wires from the device to the field wires using wire nuts (not provided in package)
  - Option 2 (mounting outside of a J-Box)
    - Insert the thread of the JB module (B2) into the 1/2 inch knockout of the J-Box (B1)
    - Fasten the JB module (B2) with the 1/2 inch thread nut (B4) to the J-Box (B1)
    - Connect the bus wire to the bus terminal block under the protective cover (B3)
    - Connect the wires from the device to the field wires using wire nuts (not provided in package)
- Assignment of the Physical Address:
  - A short push (< 2 s) of learning button (A6) enables the addressing mode, which is indicated when the LED is continuously on (A5). The device returns to normal operating mode (LED Off) automatically after receiving the physical address or if the learning button is pushed again.
  - A very long push (> 20 s) of the learning button resets the device to factory settings. This is indicated by constant flashing for 8 seconds.
  - A long push (> 5 s up to 20 s) of the learning button enables the Connection Test for commissioning with Desigo. This mode can be disabled by a short push any time.
  - Install the protective lid (B3) and fasten with screws (provided in package)
- Dismounting a JB module:
  - Disconnect power to the module
  - Remove the wire nuts and bus connection
  - Unfasten the 1/2 inch thread nut (B4) connecting the JB module (B2) to the J-Box (B1)
  - Remove the JB module (B2) from the J-Box (B1)



Wiring

- Slipping off/on bus connection blocks
  - Carefully put the screw driver to the wire insertion slit of the bus connection block's grey component (C2.2) and pull the bus connection block (C2) from the module.
- Slipping off bus connection blocks
  - Carefully put the screw driver to the wire insertion slit of the bus connection block's grey component (C2.2) and pull the bus connection block (C2) from the module.
- Note**
  - Don't try to remove the bus connection block from the bottom side. There is a risk of shorting-out the device!
- Slipping on bus connection blocks
  - Slip the bus connection block (C2) onto the guide slot of the module and press the bus connection block (C2) down to the stop.

Connecting and Disconnecting bus cables

- Connecting bus cables
  - The bus connection block (D2) can be used with single core conductors Ø 0.6...0.8 mm.
  - Remove approx. 5 mm of insulation from the conductor (D1) and plug it into the bus connection block (D2) (red = +, grey = -)
- Disconnecting bus cables
  - Unplug the bus connection block (D2) and remove the bus cable conductor (D1) while simultaneously wiggling it.

Connecting mains and inputs:

- Connect wires
  - Connect wire leads using wire nuts.