

SIEMENS

Switching actuator

Schaltaktor

Actionneur de commutation

Actuador de conmutación

Attuatore di commutazione

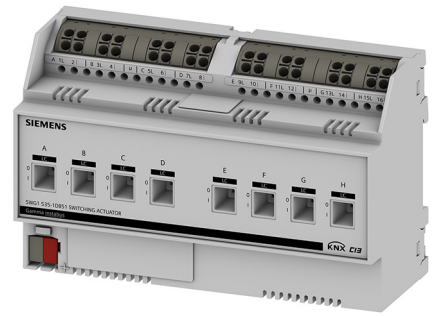
Actuador tudo ou nada

Anahtarlama Modülü

Переключатель нагрузки

Schakel actor

开关执行器



5WG1 535-1DB51



Operating Instructions Betriebsanleitung
Instruções de Serviço İşletme kılavuzu

Notice d'utilisation
Руководство по эксплуатации

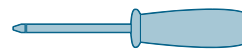
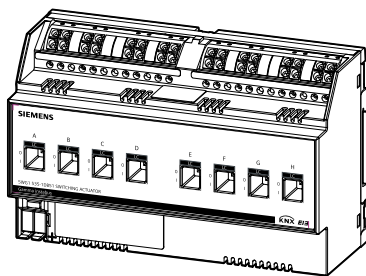
Instructivo
Bedieningshandleiding

Istruzioni operative
使用说明

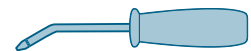


Contents / Lieferumfang / Etendue de la livraison /
Contenido / 供货范围

Required tools / Notwendige Werkzeuge /
Outils nécessaires / Herramientas requeridas / 必要工具



0.6 x 3.5 mm

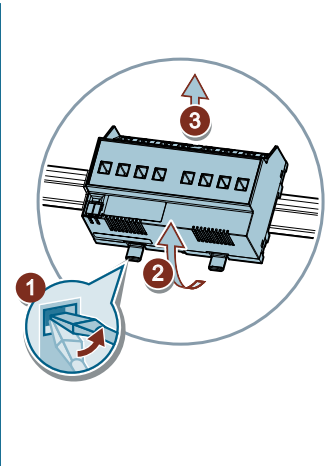
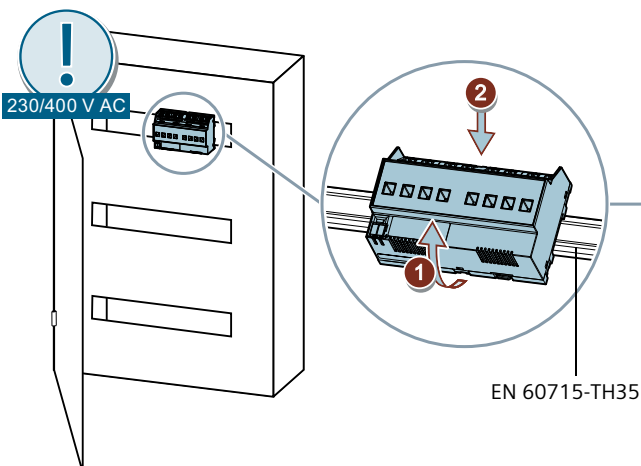


0.6 x 3.5 mm



Assembly / Montage / Montage /
Montaje / 安装

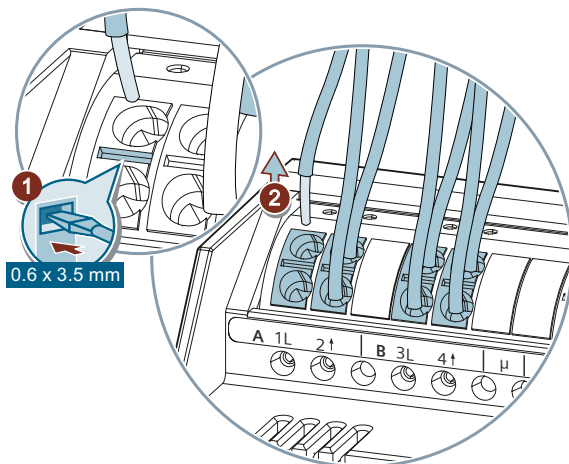
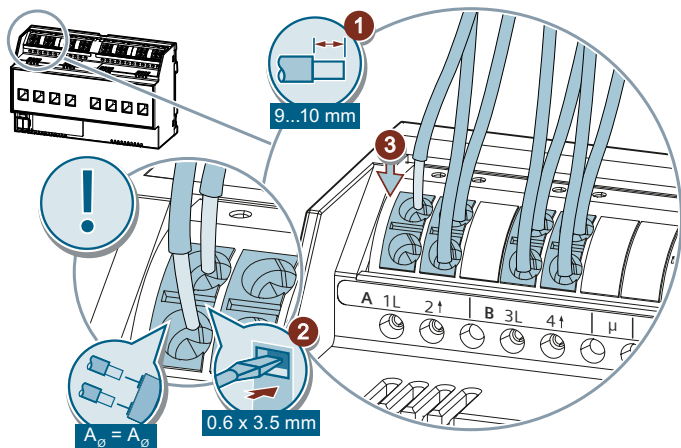
Removal / Demontage / Démontage /
Desmontaje / 拆卸



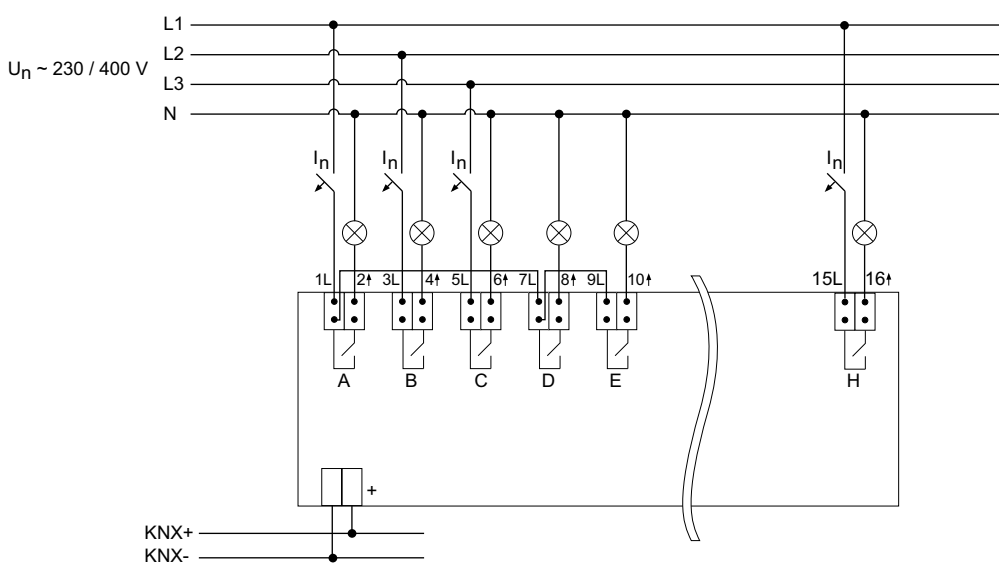
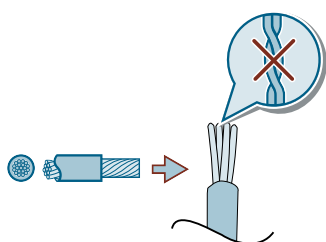


Connection / Anschluss / Raccordement /
Conexión / 连接

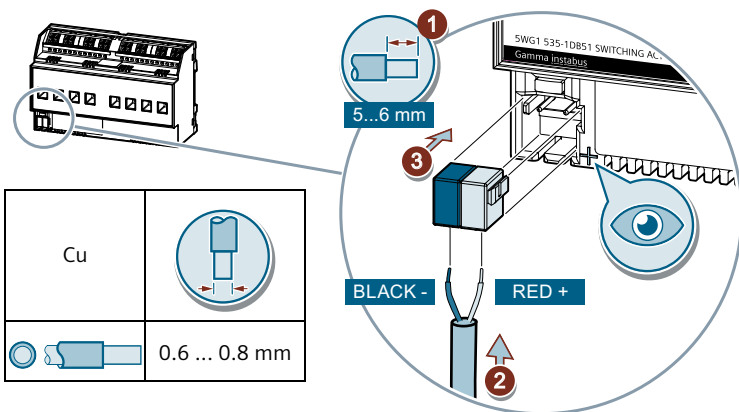
Disconnection / Trennung / D connexion /
Desconexi n / 断开



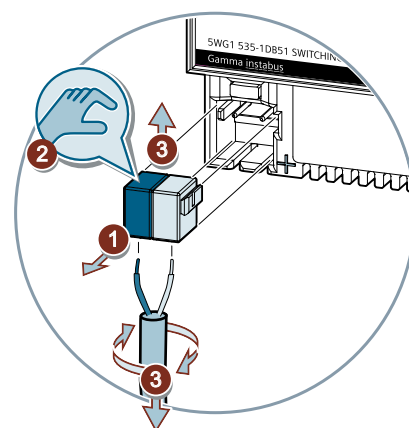
| | |
|----|-----------------------------|
| Cu | |
| | 0.5 ... 2.5 mm ² |
| | 2.5 mm ² |



| | |
|-----------------------|--------------------|
| 5WG1 535-1DB51 | |
| Type / I _n | B / 16 A, B / 20 A |
| | 3680 W |
| | 16 / 20 AX |
| | 2000 VA |

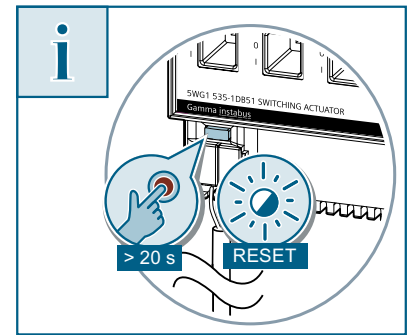
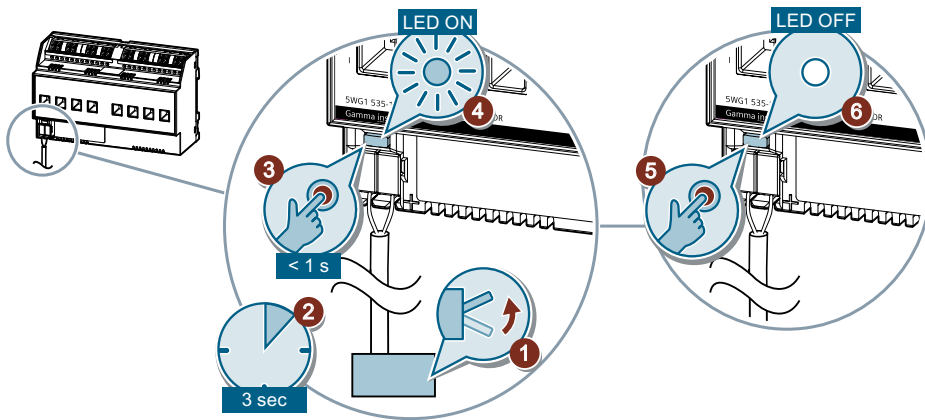


| | |
|----|----------------|
| Cu | |
| | 0.6 ... 0.8 mm |

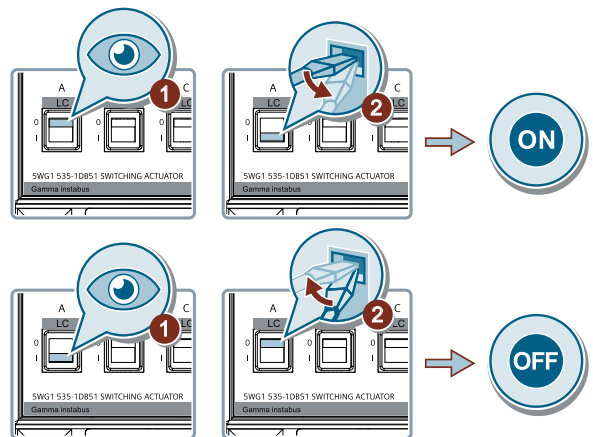
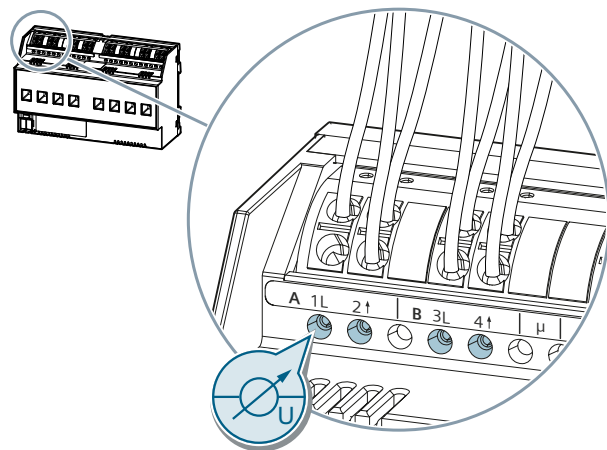


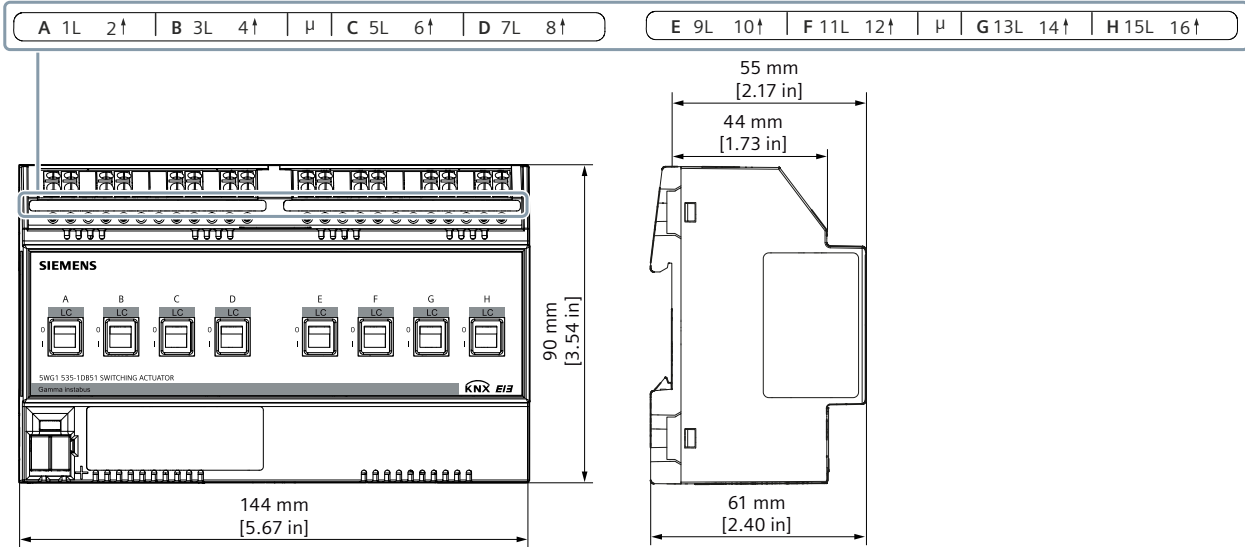


KNX 24 V DC typ. SELV



A/B/C/D/E/F/G/H U_n ~ 230 V





Technical Documentation:
<http://www.siemens.com/gamma-td>



Technical Support
<http://www.siemens.com/supportrequest>



FAQ:
<https://support.industry.siemens.com/cs/ww/en/ps/faq>

